

SINGLE OR TWIN FLOODLIGHT CROSSARM OPTION

**GENERAL SPECIFICATION**

1. SCOPE : Hinged column intended for use in the floodlighting of sports facilities, Tennis courts, MUGA, Car parks, Area Lighting etc.
2. CONSTRUCTION : Folded and welded half-shells making eight sided tapered sections. From Mild Steel BS EN 10025:S275. Base section complete with cable entry slot, aperture and backboard.
3. FINISH : Galvanised to BS EN ISO 1461.
4. FOUNDATION : Planted root as indicated. Holding down bolt and mass block foundation available upon request.
5. OPTIONS : Base plate and holding down bolts, painted finish - price upon request.

**LOWERING NOTES:**

Simple and safe single person operation using a rope and mechanical control device. Winch option for 10m & 12m variants. High hinge point design minimises lowering clearance required on the ground. Floodlights hinge down to an ideal, safe height for maintenance and re-lamping.

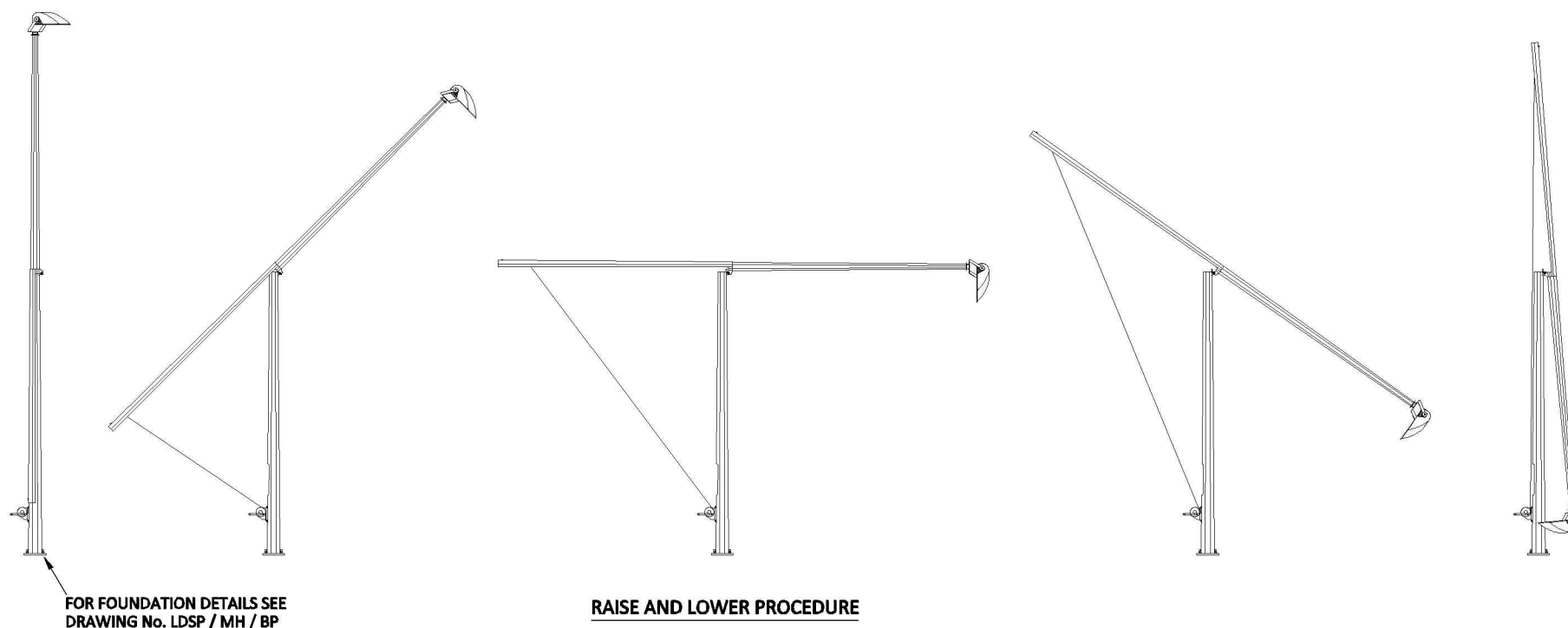
8 SIDED PRESSED STEEL SHELLS

HINGE POINT SEE DETAIL OPPOSITE

APERTURE REVEALED WHEN FOLDED SEE DETAIL OPPOSITE

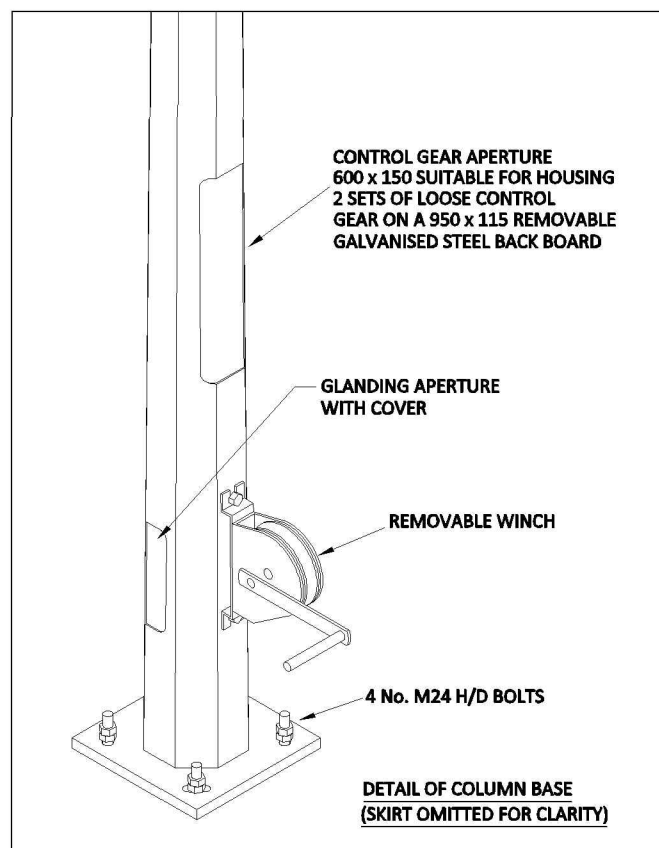
CABLE GLANDING APERTURE WITH COVER SEE DETAIL OPPOSITE

BASE PLATE & HOLDING DOWN BOLTS OPTIONAL ROOT MOUNTED FOUNDATION



RAISE AND LOWER PROCEDURE

FOR FOUNDATION DETAILS SEE DRAWING No. LDSP / MH / BP



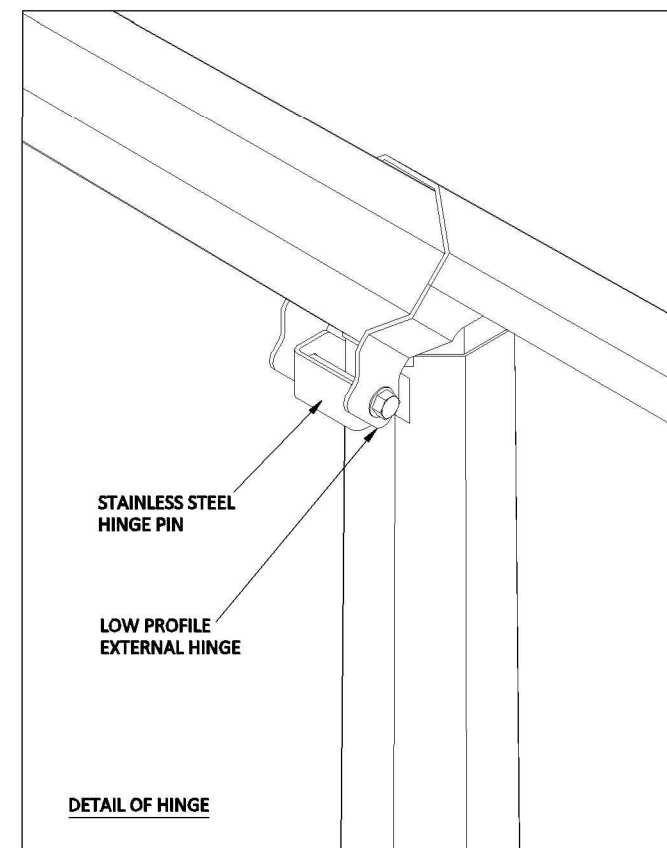
CONTROL GEAR APERTURE 600 x 150 SUITABLE FOR HOUSING 2 SETS OF LOOSE CONTROL GEAR ON A 950 x 115 REMOVABLE GALVANISED STEEL BACK BOARD

GLANDING APERTURE WITH COVER

REMOVABLE WINCH

4 No. M24 H/D BOLTS

DETAIL OF COLUMN BASE (SKIRT OMITTED FOR CLARITY)



STAINLESS STEEL HINGE PIN

LOW PROFILE EXTERNAL HINGE

DETAIL OF HINGE